

# RESISTORS AND CAPACITORS

Notes: \* Capacity values are in microfarads (uF) unless specified otherwise, P=Pico-farads (pF) F=Farads (F)  
 \* Resistance values are in ohms, unless specified otherwise, 1K=1,000 (OHM), 1M=1,000k (OHM)

| Ref. No.  | Part No.     | Values & Remarks | Ref. No.  | Part No.      | Values & Remarks   | Ref. No.  | Part No.     | Values & Remarks |
|-----------|--------------|------------------|-----------|---------------|--------------------|-----------|--------------|------------------|
|           |              | RESISTORS        | R557, 558 | ERJ6GEYJ103V  | 1/10W 10K          |           |              | CAPACITORS       |
|           |              |                  | R559      | ERJ6GEYJ153V  | 1/10W 15K          |           |              |                  |
|           |              |                  | R561      | ERJ6GEYJ152V  | 1/10W 1.5K         |           |              |                  |
| R301-304  | ERDS2TJ103   | 1/4W 10K         | R562      | ERJ6GEYJ153V  | 1/10W 15K          | C301, 302 | ECEA1HKAR22B | 50V 0.22u        |
| R305, 306 | ERDS2TJ224T  | 1/4W 220K        | R563      | ERJ6GEYJ473V  | 1/10W 47K          | C303, 304 | ECBT1H101KB5 | 50V 100P         |
| R307, 308 | ERDS2TJ392T  | 1/4W 3.9K        | R564, 565 | ERJ6GEYJ103V  | 1/10W 10K          | C305, 306 | ECBT1H820KB5 | 50V 82P          |
| R309, 310 | ERDS2TJ223   | 1/4W 22K         | R566      | ERJ6GEYJ222V  | 1/10W 2.2K         | C307, 308 | RCE1CKA100BG | 16V 10u          |
| R311, 312 | ERDS2TJ102   | 1/4W 1K          | R567, 568 | ERJ6GEYJ153V  | 1/10W 15K          | C309, 310 | ECBT1H390J5  | 50V 39P          |
| R313, 314 | ERDS2TJ392T  | 1/4W 3.9K        | R569      | ERJ6GEYJ473V  | 1/10W 47K          | C311, 312 | ECEA1HKA2R2B | 50V 2.2u         |
| R315, 316 | ERDS2TJ223   | 1/4W 22K         | R570      | ERJ6GEYJ103V  | 1/10W 10K          | C313, 314 | ECQV1H823JM3 | 50V 0.082u       |
| R317, 318 | ERDS2TJ392T  | 1/4W 3.9K        | R571      | ERJ6GEYJ102V  | 1/10W 1K           | C315, 316 | ECQB1H153JF3 | 50V 0.015u       |
| R319, 320 | ERDS2TJ183T  | 1/4W 18K         | R572      | ERJ6GEYJ103V  | 1/10W 10K          | C317, 318 | ECQB1H183JF3 | 50V 0.018u       |
| R321, 322 | ERDS2TJ392T  | 1/4W 3.9K        | R573      | ERJ6GEYJ472V  | 1/10W 4.7K         | C319, 320 | ECQB1H222JF3 | 50V 2200P        |
| R323      | ERDS2TJ561   | 1/4W 560         | R574      | ERJ6GEYJ103V  | 1/10W 10K          | C321, 322 | ECBT1E223ZF  | 25V 0.022u       |
| R325, 326 | ERDS2TJ152   | 1/4W 1.5K        | R575      | ERJ6GEYJ105   | 1/10W 1M           | C323, 324 | ECBT1H121KB5 | 50V 120P         |
| R327, 328 | ERDS2TJ562   | 1/4W 5.6K        | R581      | ERJ6GEYJ124V  | 1/10W 120K         | C325, 326 | ECQV1H333JM3 | 50V 0.033u       |
| R329, 330 | ERDS2TJ104   | 1/4W 100K        | R582      | ERJ6GEYJ823   | 1/10W 82K          | C327, 328 | ECQB1H122JF3 | 50V 1200P        |
| R332      | ERDS2TJ222   | 1/4W 2.2K        | R583      | ERJ6GEYJ563V  | 1/10W 56K          | C330, 331 | ECBT1E103ZF  | 25V 0.01u        |
| R333, 334 | ERDS2TJ122   | 1/4W 1.2K        | R584      | ERJ6GEYJ564V  | 1/10W 560K         | C332      | ECEA1HKA010B | 50V 1u           |
| R335, 336 | ERDS2EJ121   | 1/4W 120         | R585      | ERJ6GEYJ223V  | 1/10W 22K          | C333, 334 | RCE1CKA100BG | 16V 10u          |
| R337      | ERDS2TJ224T  | 1/4W 220K        | R586      | ERJ6GEYJ103V  | 1/10W 10K          | C335      | RCELAKA101BG | 10V 100u         |
| R341, 342 | ERDS2TJ471   | 1/4W 470         | R587      | ERDS2TJ473    | 1/4W 47K           | C341-344  | ECBT1H101KB5 | 50V 100P         |
| R343, 344 | ERDS2TJ333   | 1/4W 33K         | R591, 592 | ERJ6GEYJ102V  | 1/10W 1K           | C345, 346 | ECBT1H331KB5 | 50V 330P         |
| R345, 346 | ERDS2TJ122   | 1/4W 1.2K        | R593      | ERJ6GEYJ473V  | 1/10W 47K          | C347, 348 | RCE1CKA100BG | 16V 10u          |
| R347, 348 | ERDS2TJ332   | 1/4W 3.3K        | R594      | ERJ6GEYJ223V  | 1/10W 22K          | C349-352  | ECBT1E103ZF  | 25V 0.01u        |
| R349-352  | ERDS2TJ470   | 1/4W 47          | R701, 702 | ERDS1FVJ182T  | 1/2W 1.8K $\Delta$ | C353      | ECBT1H102KB5 | 50V 1000P        |
| R353, 354 | ERDS2EJ121   | 1/4W 120         | R703      | ERDS1FVJ392T  | 1/2W 3.9K $\Delta$ | C354, 355 | ECBT1C105ZF5 | 16V 1u           |
| R355      | ERDS2TJ334   | 1/4W 330K        | R704      | ERQ16NKNW1ROE | 1W 1.0 $\Delta$    | C361, 362 | ECBT1H473ZF5 | 50V 0.047u       |
| R356      | ERDS2TJ222   | 1/4W 2.2K        | R711      | ERG1SJJ221E   | 1W 220             | C371, 372 | ECBT1E103ZF  | 25V 0.01u        |
| R361      | ERDS2TJ273   | 1/4W 27K         | R712      | ERG1SJJ271E   | 1W 270             | C381, 382 | ECQV1H224JM3 | 50V 0.22u        |
| R371, 372 | ERDS2TJ562   | 1/4W 5.6K        | R713      | ERDS2TJ333    | 1/4W 33K           | C501, 502 | RCE1CKA100BG | 16V 10u          |
| R373, 374 | ERDS2TJ332   | 1/4W 3.3K        | R714      | ERDS2TJ392T   | 1/4W 3.9K          | C503-506  | ECUV1H102KBN | 50V 1000P        |
| R381, 382 | ERDS2TJ392T  | 1/4W 3.9K        | R715      | ERDS2TJ473    | 1/4W 47K           | C507      | ECUV1E103ZFN | 25V 0.01u        |
| R501, 502 | ERJ6GEYJ472V | 1/10W 4.7K       | R721      | ERG2ANPJ331S  | 2W 330             | C509, 510 | ECUV1H331KBN | 50V 330P         |
| R503, 504 | ERJ6GEYJ824V | 1/10W 820K       | R722      | ERDS2TJ222    | 1/4W 2.2K          | C511, 512 | ECUV1E103ZFN | 25V 0.01u        |
| R505, 506 | ERJ6GEYJ103V | 1/10W 10K        | R731, 732 | ERDS2TJ221    | 1/4W 220           | C513, 514 | ECUV1E224ZFN | 25V 0.22u        |
| R507      | ERJ6GEYJ301V | 1/10W 300        | R741, 742 | ERDS2TJ102    | 1/4W 1K            | C515-518  | ECUVNC105ZFN | 16V 1u           |
| R508      | ERJ6GEYJ241V | 1/10W 240        | R751-753  | ERDS2TJ101    | 1/4W 100           | C519, 520 | ECQV1H155JL3 | 50V 1.5u         |
| R511, 512 | ERJ6GEYJ153V | 1/10W 15K        | R801      | ERDS2TJ821    | 1/4W 820           | C521, 522 | ECQV1H105JM3 | 50V 1u           |
| R513-516  | ERJ6GEYJ562V | 1/10W 5.6K       | R802      | ERDS2TJ102    | 1/4W 1K            | C523, 524 | ECQV1H224JM3 | 50V 0.22u        |
| R517-520  | ERJ6GEYJ1R0V | 1/10W 1.0        | R803      | ERDS2TJ271    | 1/4W 270           | C525      | ECUV1H682KBN | 50V 6800P        |
| R523, 524 | ERJ6GEYJ473V | 1/10W 47K        | R805      | ERDS2TJ472    | 1/4W 4.7K          | C526      | ECUV1H181KCN | 50V 180P         |
| R525      | ERJ6GEYJ273V | 1/10W 27K        | R807      | ERDS2TJ331    | 1/4W 330           | C527      | ECUVNC225ZFN | 16V 2.2u         |
| R526      | ERJ6GEYJ153V | 1/10W 15K        | R808      | ERDS2TJ104    | 1/4W 100K          | C529, 530 | ECUV1H223ZFN | 50V 0.022u       |
| R541      | ERJ6GEYJ105  | 1/10W 1M         | R810      | ERDS2TJ331    | 1/4W 330           | C531, 532 | ECUV2H101JCM | 500V 100P        |
| R544      | ERJ6GEYJ221V | 1/10W 220        |           |               | CHIP JUMPERS       | C533-536  | ECUV1H102KBN | 50V 1000P        |
| R551, 552 | ERJ6GEYJ181V | 1/10W 180        |           |               |                    | C543, 544 | ECUV1E103ZFN | 25V 0.01u        |
| R553, 554 | ERJ6GEYJ392V | 1/10W 3.9K       |           |               |                    | C547      | ECUV1H562KBN | 50V 5600P        |
| R555, 556 | ERF2EXKR22V  | 2W 0.22          | R509, 510 | ERJ6GEYOR00V  | CHIP JUMPER        | C551      | ECEAOJKA101B | 6.3V 100u        |

| Ref. No.  | Part No.     | Values & Remarks | Ref. No.  | Part No.     | Values & Remarks   | Ref. No.    | Part No.     | Values & Remarks |
|-----------|--------------|------------------|-----------|--------------|--------------------|-------------|--------------|------------------|
| C552      | ECUV1E224ZFN | 25V 0.22U        | C707, 708 | ECA1EM101B   | 25V 100U           | C722        | RCE1CKA100BG | 16V 10U          |
| C553, 554 | ECUVNC225ZFN | 16V 2.2U         | C709, 710 | ECUV1E104ZFN | 25V 0.1U           | C723        | ECEA1CKA101B | 16V 100U         |
| C555      | ECUV1H102KBN | 50V 1000P        | C711      | ECQE1104KF3  | 100V 0.1U          | C724, 725   | ECUV1H102KBN | 50V 1000P        |
| C561      | ECUV1H472KBN | 50V 4700P        | C712      | ECKR2H102ZF5 | 500V 1000P         | C731        | ECEA0JKA101B | 6.3V 100U        |
| C581      | ECEA0JKA101B | 6.3V 100U        | C713      | ECA1HM70B    | 50V 47U $\Delta$   | C732        | ECUVNC105ZFN | 16V 1U           |
| C582      | ECUV1E223ZFN | 25V 0.022U       | C715      | ECA1HM102E   | 50V 1000U $\Delta$ | C751        | ECBT1E223ZF  | 25V 0.022U       |
| C583      | ECUVNC105ZFN | 16V 1U           | C716      | ECA1HM102B   | 50V 1000U $\Delta$ | C752        | ECBT1H102KB5 | 50V 1000P        |
| C701      | ECUV1E104ZFN | 25V 0.1U         | C717      | ECA1HM102E   | 50V 1000U $\Delta$ | C1101, 1102 | ECBT1E223ZF  | 25V 0.022U       |
| C702      | ECUV1H101KCN | 50V 100P         | C718      | ECA1HM102B   | 50V 1000U $\Delta$ | C1103-1106  | ECBT1H102KB5 | 50V 1000P        |
| C703, 704 | EEUFA1H561E  | 50V 560U         | C719      | ECEA1EKA470B | 25V 47U            | C1107, 1108 | ECBT1C105ZF5 | 16V 1U           |
| C705      | ECUV1E104ZFN | 25V 0.1U         | C720      | ECUV1E104ZFN | 25V 0.1U           | C1109, 1110 | ECBT1H102KB5 | 50V 1000P        |
| C706      | ECUV1H472KBN | 50V 4700P        | C721      | ECUV1E103ZFN | 25V 0.01U          |             |              |                  |

## REPLACEMENT PARTS LIST

Notes: \* The parenthesized indications in the Remarks columns specify the areas. (Refer to the cover page for area.) Parts without these indications can be used for all areas.

| Ref. No. | Part No.     | Part Name & Description     | Remarks | Ref. No. | Part No.     | Part Name & Description       | Remarks |
|----------|--------------|-----------------------------|---------|----------|--------------|-------------------------------|---------|
|          |              | CABINET AND CHASSIS         |         | 21       | RMF0985-K    | EDGE HOLDER                   |         |
|          |              |                             |         | 22       | RMX0118      | PDM SPACER (L)                |         |
|          |              |                             |         | 23       | RMX0123      | PDM SPACER (R)                |         |
| 1        | RHD30007-S   | SCREW                       |         | 24       | RSC0448      | PDM COVER                     |         |
| 2        | RKMD326C-S   | CABINET                     |         | 25       | RSC0458      | PDM EARTH BRACKET             |         |
| 3        | XTBS3+8JFZ1  | SCREW                       |         | 26       | XTB3+6JFZ    | SCREW                         |         |
| 4        | RSCD457      | SHIELD BRACKET              |         | 27       | REZ0902      | CONNECTOR ASS'Y (5P) (W802)   |         |
| 5        | RWJ1808165KK | FLAT CABLE (8P) (W701)      |         | 28       | REZ0900      | FLAT CABLE (14P) (CN801, 802) |         |
| 6        | RGR0241A-C1  | REAR PANEL                  | (E, EG) | 29       | RFKGECA01E-N | FRONT PANEL ASS'Y             |         |
| 6        | RGR0241A-D1  | REAR PANEL                  | (EB)    | 30       | RGK0812-S    | SIDE ORNAMENT (L)             |         |
| 7        | RGW0247-S1   | VOLUME KNOB                 |         | 31       | RGK0813-S    | SIDE ORNAMENT (R)             |         |
| 8        | RFKJEHD7-N   | BOTTOM CHASSIS ASS'Y        |         | 32       | RGK0815-N    | VOLUME ORNAMENT               |         |
| 8-1      | RKA0076-N1   | FOOT                        |         | 33       | RGL0333-1Q   | PANEL LIGHT                   |         |
| 9        | RMNO191      | TRANSFORMER P. C. B. HOLDER |         | 34       | RGU1392-S    | POWER BUTTON                  |         |
| 10       | RMNO203      | P. C. B. HOLDER             |         | 35       | RGU1393-Q    | OPERATION BUTTON              |         |
| 11       | RFKEHD7-N    | CONNECTOR UNIT (5P) (W803)  |         | 36       | RGW0198-S    | ADJUSTMENT KNOB               |         |
| 12       | RWJ1806380QQ | FLAT CABLE (6P) (W503)      |         | 37       | RHD26016     | SCREW                         |         |
| 13       | RWJ5705300KX | FLAT CABLE (5P) (W504)      |         | 38       | SNE4021-1    | NUT                           |         |
| 14       | RLBT3101-D   | FERRITE CORE (6P)           |         | 39       | XTBS26+8J    | SCREW                         |         |
| 15       | RLBT4001-D   | FERRITE CORE (5P)           |         | 40       | SHE185-2     | P. C. B. SUPPORT              |         |
| 16       | RLB0010      | FERRITE CORE (S)            |         | 41       | XTB3+16JFZ   | SCREW                         |         |
| 17       | RMA0981      | EARTH ANGLE                 |         | 42       | RJS1A5506    | CABLE HOLDER (W503)           |         |
| 18       | RMCO302      | STABILIZER                  |         | 43       | RMZO397      | BARRIER                       |         |
| 19       | RMFO236      | SHEET                       |         | 44       | RJS2A1305    | CABLE HOLDER (W504)           |         |
| 20       | RMKO322      | PDM CHASSIS                 |         |          |              |                               |         |



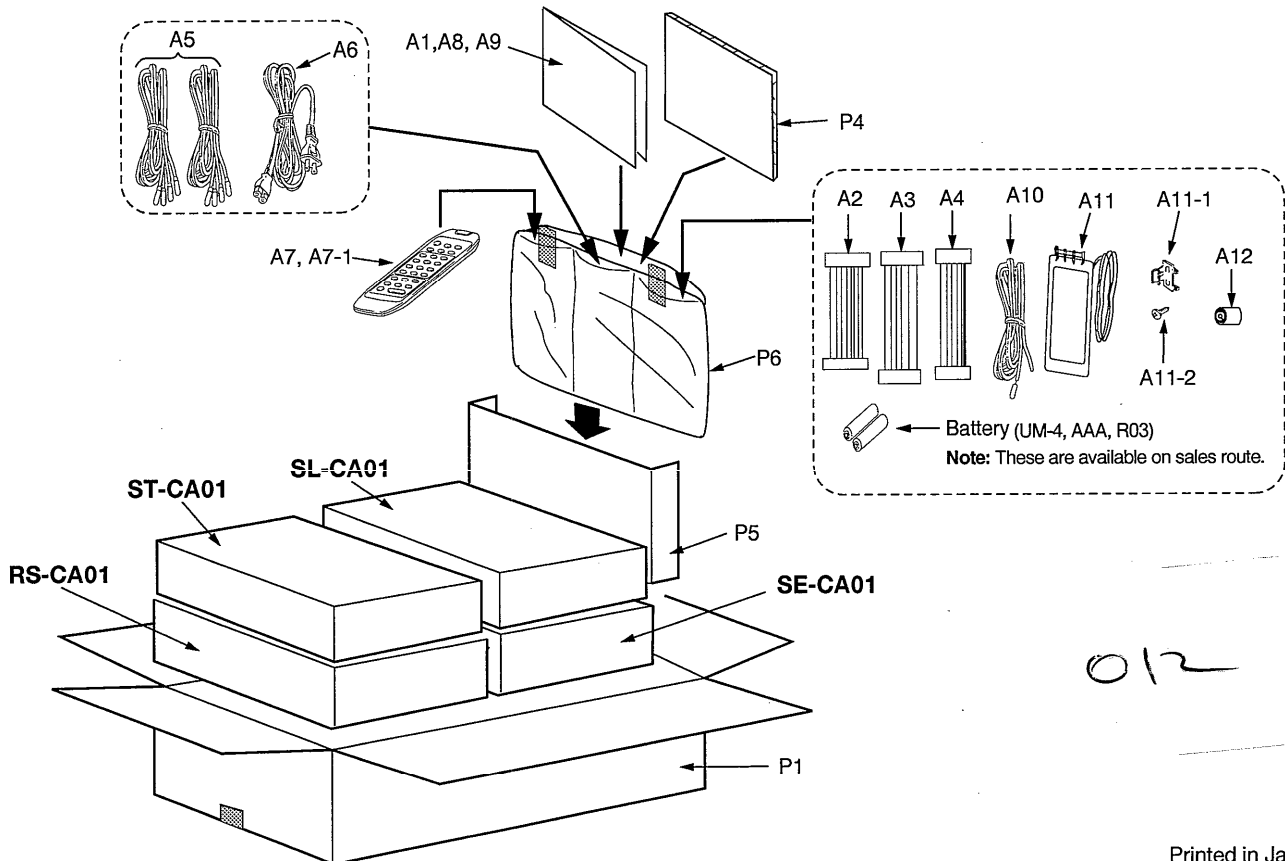
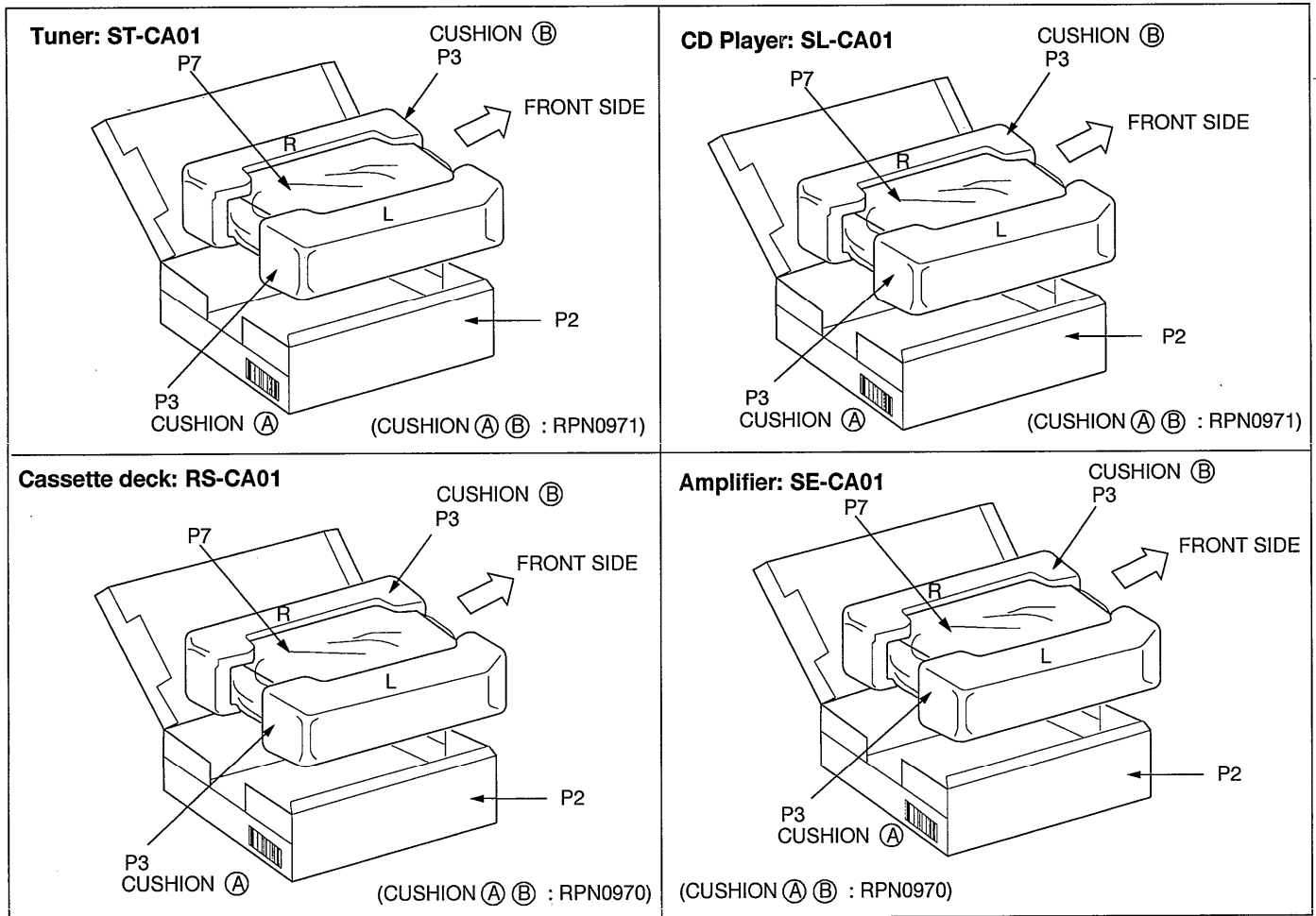
# REPLACEMENT PARTS LIST

- Notes:**
- \* Important safety notice: Components identified by  $\Delta$  mark have special characteristics important for safety. Furthermore, special parts which have purposes of fire-retardant (resistors), high-quality sound (capacitors), low-noise (resistors), etc. are used. When replacing any of components, be sure to use only manufacturer's specified parts shown in the parts list.
  - \* The parenthesized indications in the Remarks columns specify the areas. (Refer to the cover page for area.) Parts without these indications can be used for all areas.
  - \* Remote Control Ass'y: Supply period for three years from termination of production.
  - \* The "(SF)" mark denotes the standard part.
  - \* [V] indicates in Remarks columns parts that are supplied by Video Recoder Division.

| Ref. No.   | Part No.     | Part Name & Description | Remarks  | Ref. No.   | Part No.     | Part Name & Description | Remarks  |
|------------|--------------|-------------------------|----------|------------|--------------|-------------------------|----------|
|            |              | INTEGRATED CIRCUIT(S)   |          | D711, 712  | RL1N4003N02  | DIODE                   | $\Delta$ |
|            |              |                         |          | D713       | MA4051MTA    | DIODE                   | $\Delta$ |
|            |              |                         |          | D714       | MA4240H      | DIODE                   |          |
| IC301      | M5219FPPTA   | TONE AMP                |          | D721       | MA4120HTA    | DIODE                   | $\Delta$ |
| IC302      | TC9215AFEL   | MODE SELECTOR           |          | D722, 723  | MA185TA      | DIODE                   |          |
| IC303      | M5218AFPE3   | HEADPHONES AMP          |          | D731       | MA4051MTA    | DIODE                   | $\Delta$ |
| IC304      | M5219FPPTA   | BUFFER AMP              |          | D801       | LNJ201LPQJA  | L. E. D.                |          |
| IC501      | NJM2114D     | BUFFER AMP              |          | D802, 803  | LNJ301MPUJAD | L. E. D.                |          |
| IC502      | TC7WU04FT12L | INVERTER                |          | D804       | MA165        | DIODE                   |          |
| IC503      | TC74HC74AFEL | D FLIP-FLOP             |          |            |              | VARIABLE RESISTOR(S)    |          |
| IC504      | TC74HC00AFT1 | NAND GATE               |          |            |              |                         |          |
| IC505, 506 | IR2112       | POWER AMP               |          | VR301, 302 | EVJYA1F04C15 | BASS/TREBLE CONTROL     |          |
| IC507      | TC7W08FTE12L | AND GATE                |          | VR303      | EVJ02QF04G15 | BALANCE CONTROL         |          |
|            |              | TRANSISTOR(S)           |          | VR801      | EVQWQAF2524B | VOLUME CONTROL          |          |
|            |              |                         |          |            |              | COIL(S)                 |          |
| Q301, 302  | 2SC3312RSTA  | TRANSISTOR              |          | L301, 302  | ELEXT101KA9  | COIL                    |          |
| Q303, 304  | 2SD2144S     | TRANSISTOR              |          | L303       | RL1500050T-Y | COIL                    |          |
| Q305       | UN4115       | TRANSISTOR              |          | L501       | RLQT490K-V   | COIL                    |          |
| Q307, 308  | 2SD2144S     | TRANSISTOR              |          | L502       | RLQT490K1-V  | COIL                    |          |
| Q309       | UN4115       | TRANSISTOR              |          | L503       | RLQT490K-V   | COIL                    |          |
| Q501-504   | 2SB792RSTTX  | TRANSISTOR              |          | L504       | RLQT490K1-V  | COIL                    |          |
| Q505-508   | IRF1510G     | TRANSISTOR              |          | L505, 506  | RLQT240K-V   | COIL                    |          |
| Q551, 552  | 2SB792RSTTX  | TRANSISTOR              |          | L507, 508  | BL02RN1R62T2 | COIL                    |          |
| Q553-556   | 2SD1819RTX   | TRANSISTOR              |          | L511       | BL02RN2R62T4 | COIL                    |          |
| Q557       | 2SB1218RTX   | TRANSISTOR              |          | L513-515   | BL02RN2R62T4 | COIL                    |          |
| Q558, 559  | 2SD1819RTX   | TRANSISTOR              |          | L701       | RLQZ271M     | COIL                    | $\Delta$ |
| Q560       | 2SB792RSTTX  | TRANSISTOR              |          | L702-706   | BL02RN2R62T4 | COIL                    |          |
| Q581, 582  | 2SD1819RTX   | TRANSISTOR              |          | L711       | ELEXT101KA9  | COIL                    |          |
| Q583       | 2SB1218RTX   | TRANSISTOR              |          |            |              | TRANSFORMER(S)          |          |
| Q584       | 2SD1819RTX   | TRANSISTOR              |          |            |              |                         |          |
| Q591       | 2SB792RSTTX  | TRANSISTOR              |          | PT701      | RTP2M5B010   | POWER TRANSFORMER       | $\Delta$ |
| Q711       | 2SC3311A1RTA | TRANSISTOR              |          |            |              | OSCILLATOR(S)           |          |
| Q721       | 2SD2137PQTA  | TRANSISTOR              | $\Delta$ |            |              |                         |          |
| Q801-803   | UN4111       | TRANSISTOR              |          | X501       | EFOEC2405T4  | OSCILLATOR (24MHz)      |          |
|            |              | DIODE(S)                |          |            |              | FUSE(S)                 |          |
| D505-508   | MA111TX      | DIODE                   |          | F1         | XBA2C10TB0   | FUSE, 250V 1A           | $\Delta$ |
| D509-514   | D1NL20U-4084 | DIODE                   |          | F701, 702  | XBA2C16TB0   | FUSE, 250V 1.6A         | $\Delta$ |
| D551-557   | MA111TX      | DIODE                   |          |            |              | SWITCH(ES)              |          |
| D558       | MA8033LTX    | DIODE                   |          |            |              |                         |          |
| D559       | MA111TX      | DIODE                   |          |            |              |                         |          |
| D591-593   | MA111TX      | DIODE                   |          |            |              |                         |          |
| D594       | MA4300M      | DIODE                   |          |            |              |                         |          |
| D701-704   | 1N5402BF     | DIODE                   | $\Delta$ |            |              |                         |          |
| D705-707   | MA4150M      | DIODE                   | $\Delta$ |            |              |                         |          |

| Ref. No.   | Part No.     | Part Name & Description      | Remarks | Ref. No. | Part No.     | Part Name & Description    | Remarks         |
|------------|--------------|------------------------------|---------|----------|--------------|----------------------------|-----------------|
| S801       | EVQ21405R    | POWER                        |         |          |              |                            |                 |
| S802       | EVQ21405R    | SOURCE DIRECT                |         |          |              | PACKING MATERIAL           |                 |
| S803       | EVQ21405R    | VOCAL PRESENCE               |         |          |              |                            |                 |
|            |              | RELAY(S)                     |         | P1       | RPG2979      | PACKING CASE (SYSTEM)      |                 |
|            |              |                              |         | P2       | RPG3032      | PACKING CASE (AMPLIFIER)   |                 |
|            |              |                              |         | P2       | RPG3035      | PACKING CASE (TUNER)       |                 |
| RL701      | RSY0013M-0   | RELAY                        | △       | P2       | RPG3034      | PACKING CASE (CD)          |                 |
|            |              | CONNECTOR (S) AND SOCKET (S) |         | P2       | RPG3033      | PACKING CASE (DECK)        |                 |
|            |              |                              |         | P3       | RPN0971      | CUSHION (TUNER/CD)         |                 |
|            |              |                              |         | P3       | RPN0970      | CUSHION (AMPLIFIER/DECK)   |                 |
| CN301      | RJT057W004-1 | CONNECTOR (4P)               |         | P4       | RPQ0164      | PAD                        |                 |
| CN501, 502 | RJT057W007-1 | CONNECTOR (7P)               |         | P5       | RPQ0604      | SPACER                     |                 |
| CN503      | RJS1A6606    | CONNECTOR (6P)               |         | P6       | RPF0139      | PROTECTION BAG (F. B.)     |                 |
| CN504      | RJS5T7ZA     | CONNECTOR (5P)               |         | P7       | SPP740       | PROTECTION BAG (UNIT)      |                 |
| CN701-711  | RJS1A1101T1  | CONNECTOR (1P)               |         |          |              |                            |                 |
| CN715      | RJT057W004-1 | CONNECTOR (4P)               |         |          |              | ACCESSORIES                |                 |
| CN716-718  | RJT057W007-1 | CONNECTOR (7P)               |         |          |              |                            |                 |
| CN801, 802 | RJS1A6714    | CONNECTOR (14P)              |         | A1       | RFKSECA01E-N | INSTRUCTION MANUAL ASS'Y   | (E)             |
| CP301      | RJU057W004   | SOCKET (4P)                  |         | A1       | RFKSECA01EBN | INSTRUCTION MANUAL ASS'Y   | (EB)            |
| CP501, 502 | RJU057W007   | SOCKET (7P)                  |         | A1       | RQT3503-D    | INSTRUCTION MANUAL         | (EG)            |
| CP715      | RJU057W004   | SOCKET (4P)                  |         | A2       | REX0608      | FLAT CABLE (short) (20P)   |                 |
| CP716-718  | RJU057W007   | SOCKET (7P)                  |         | A3       | REX0812      | FLAT CABLE (long) (19P)    |                 |
| JK201      | RJT065K20    | CONNECTOR (20P)              |         | A4       | REX0813      | FLAT CABLE (middle) (15P)  |                 |
|            |              | JACK (S) AND TERMINAL (S)    |         | A5       | RFA0737-R    | SPEAKER CORD UNIT          |                 |
|            |              |                              |         | A6       | RJA0019-2K   | AC POWER SUPPLY CORD       | (E, EG) △ (SF)  |
|            |              |                              |         | A6       | VJA0733      | AC POWER SUPPLY CORD       | (EB) △ (SF) [V] |
| JK301      | RJJ37TN01-C  | HEADPHONES                   |         | A7       | RAK-CH193WH  | REMOTE CONTROL TRANSMITTER |                 |
| JK501      | RJR0054      | SPEAKERS                     |         | A7-1     | RKK0057-K    | BATTERY COVER FOR R. C. T. |                 |
| JK701      | SJS9236      | AC INLET                     | △       | A8       | RQA0117      | WARRANTY CARD              |                 |
|            |              | EARTH PLATE (S)              |         | A9       | RQCB0169     | SERVICENTER LIST           |                 |
|            |              |                              |         | A10      | RSA0007      | FM INDOOR ANTENNA          |                 |
| E701       | SNE1004-2    | EARTH PLATE                  |         | A11      | RSA0012      | AM LOOP ANTENNA            |                 |
|            |              | FUSE HOLDER (S)              |         | A11-1    | RMN0244      | ANTENNA HOLDER             |                 |
|            |              |                              |         | A11-2    | XTN3+12AFZ   | SCREW                      |                 |
|            |              |                              |         | A12      | SJP9009      | ATTACHMENT PLUG            | (EB) △          |
| FC1-6      | EYF52BC      | FUSE HOLDER                  |         |          |              | <GREASE OR JIG/TOOL>       |                 |
|            |              |                              |         |          |              | GREASE                     |                 |
|            |              |                              |         | SA1      | RFKX0002     | COMPOUND GREASE            |                 |

**PACKAGING**



012